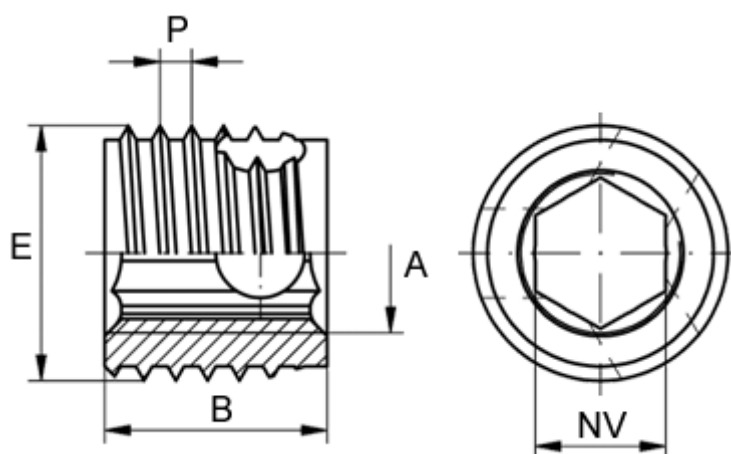


Article number: 12308200120110

Description: KLEE-coil 308 200 120.110

M12 Hardened/zinc-plated steel with hexagon

## Measures



Female thread A	= M12
Length B	= 22
Male thread E	= 16
Min hole depth blind hole	= 26
Min material thickness	= 22
sw	= -
Thread pitch P	= 1.75
Type	= 308 200 120 ...